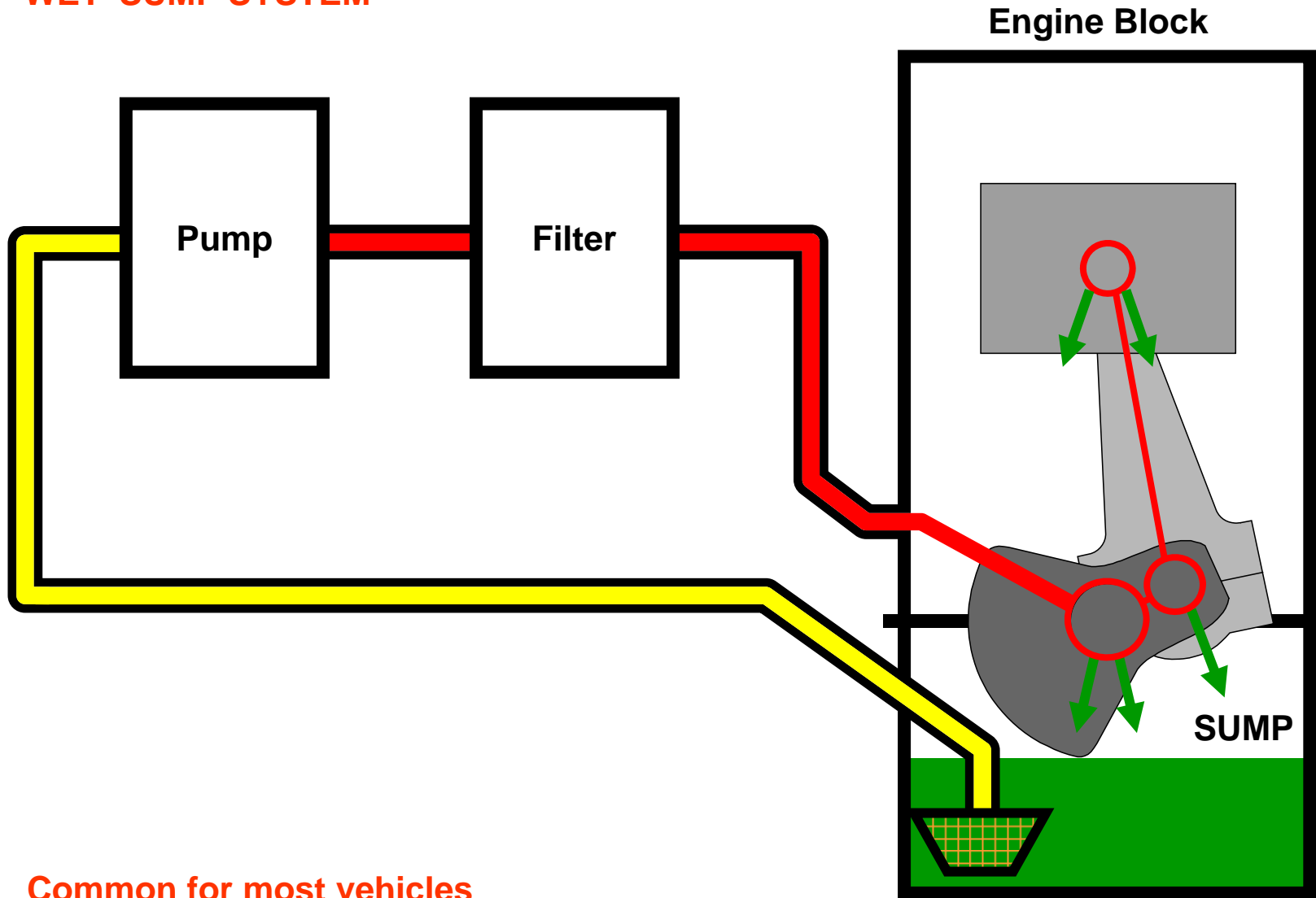


TYPICAL OIL SYSTEMS

Piston Engines

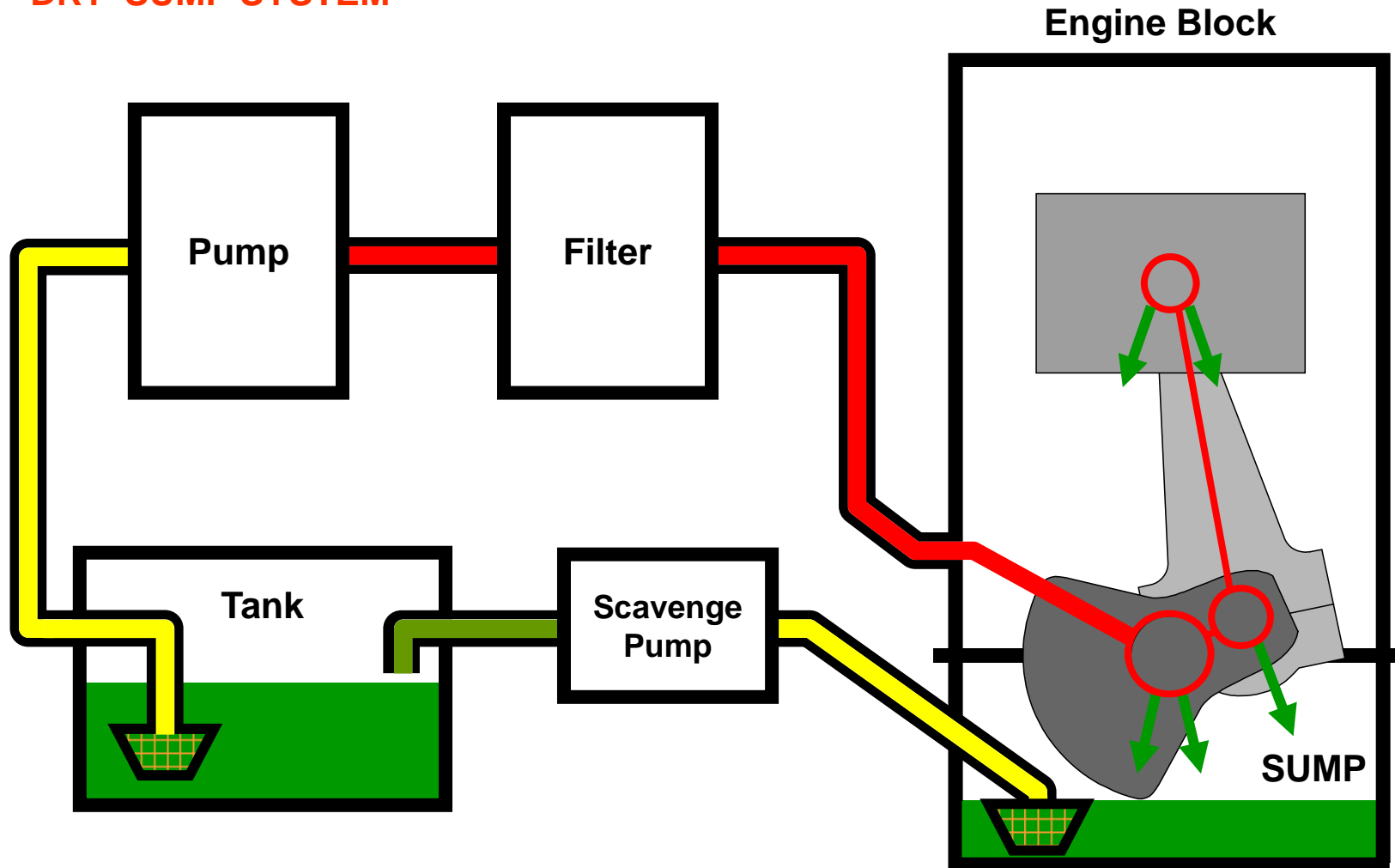
Distribution and Lubrication

'WET' SUMP SYSTEM



TYPICAL OIL SYSTEM - PISTON ENGINE

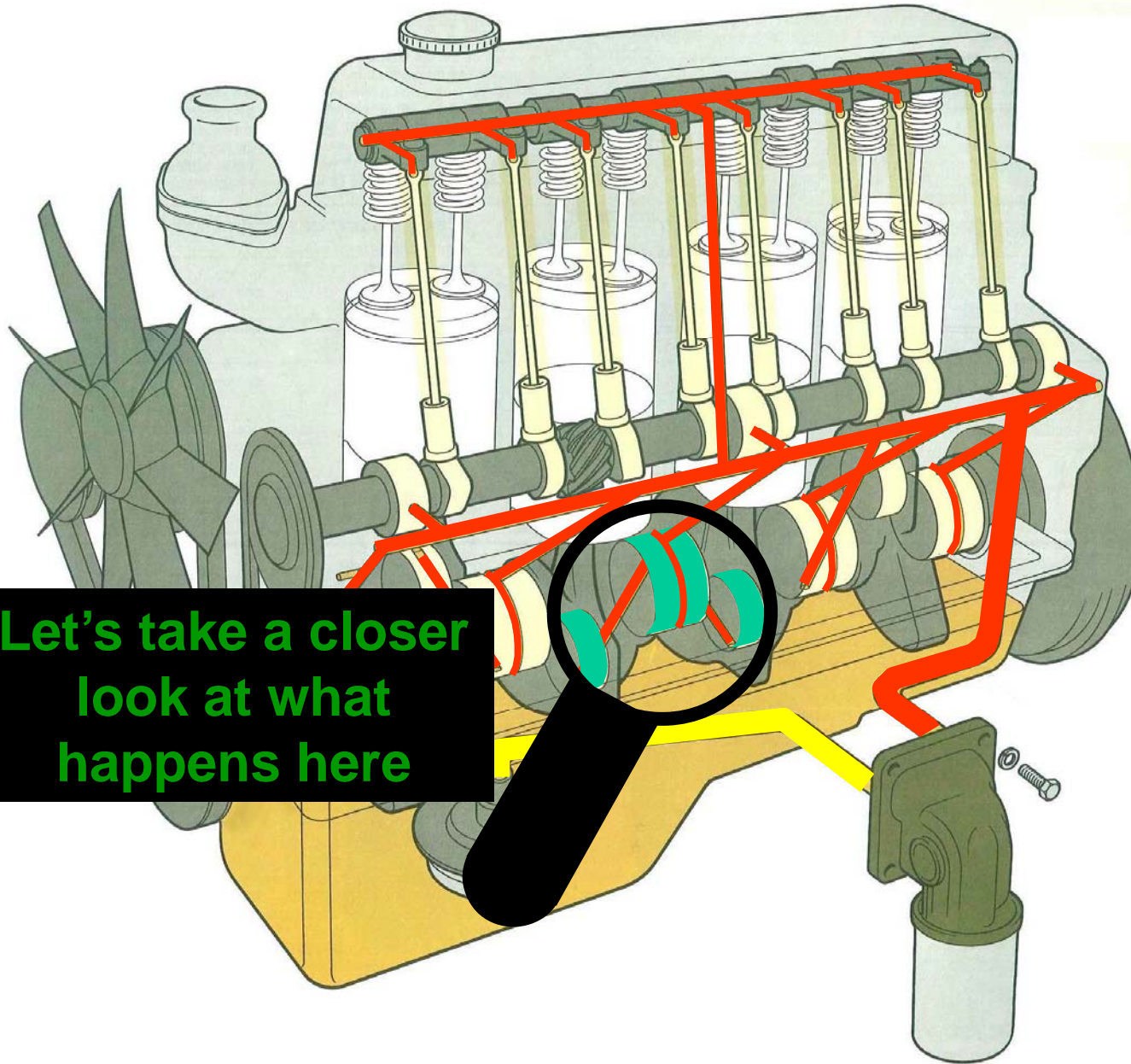
'DRY' SUMP SYSTEM



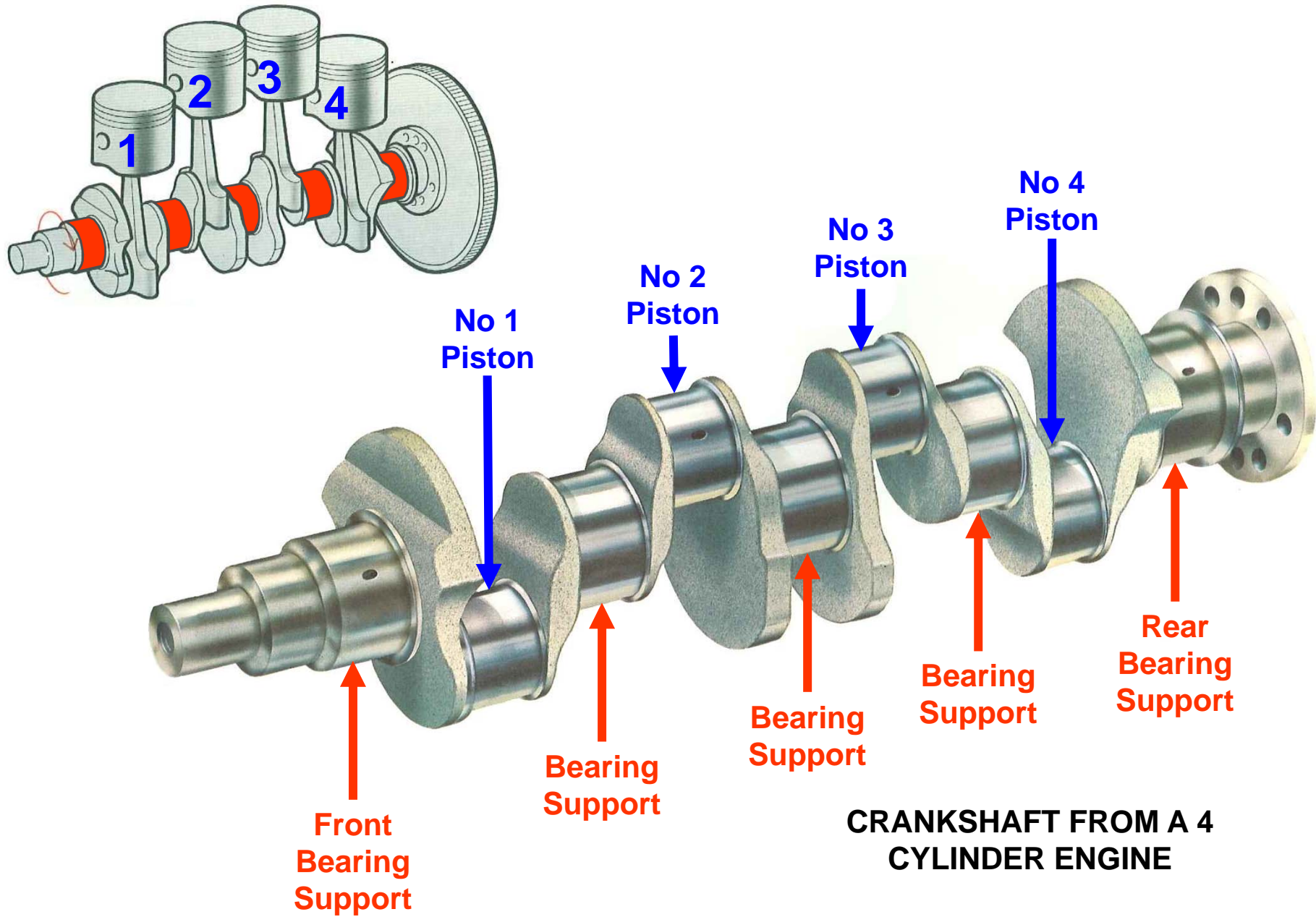
High Performance/Rally vehicles and Aircraft

TYPICAL OIL SYSTEM - PISTON ENGINE

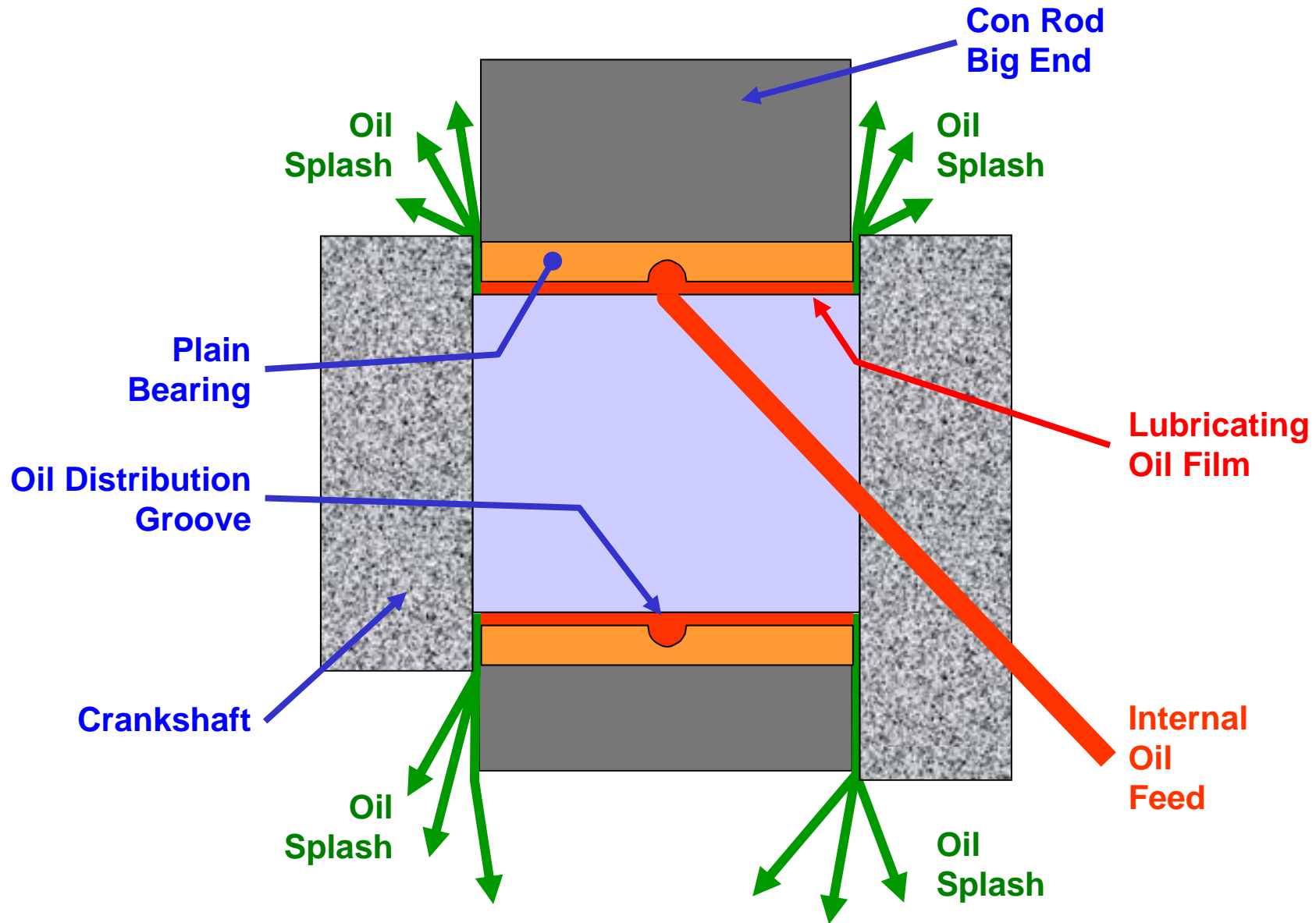
Let's take a closer look at what happens here



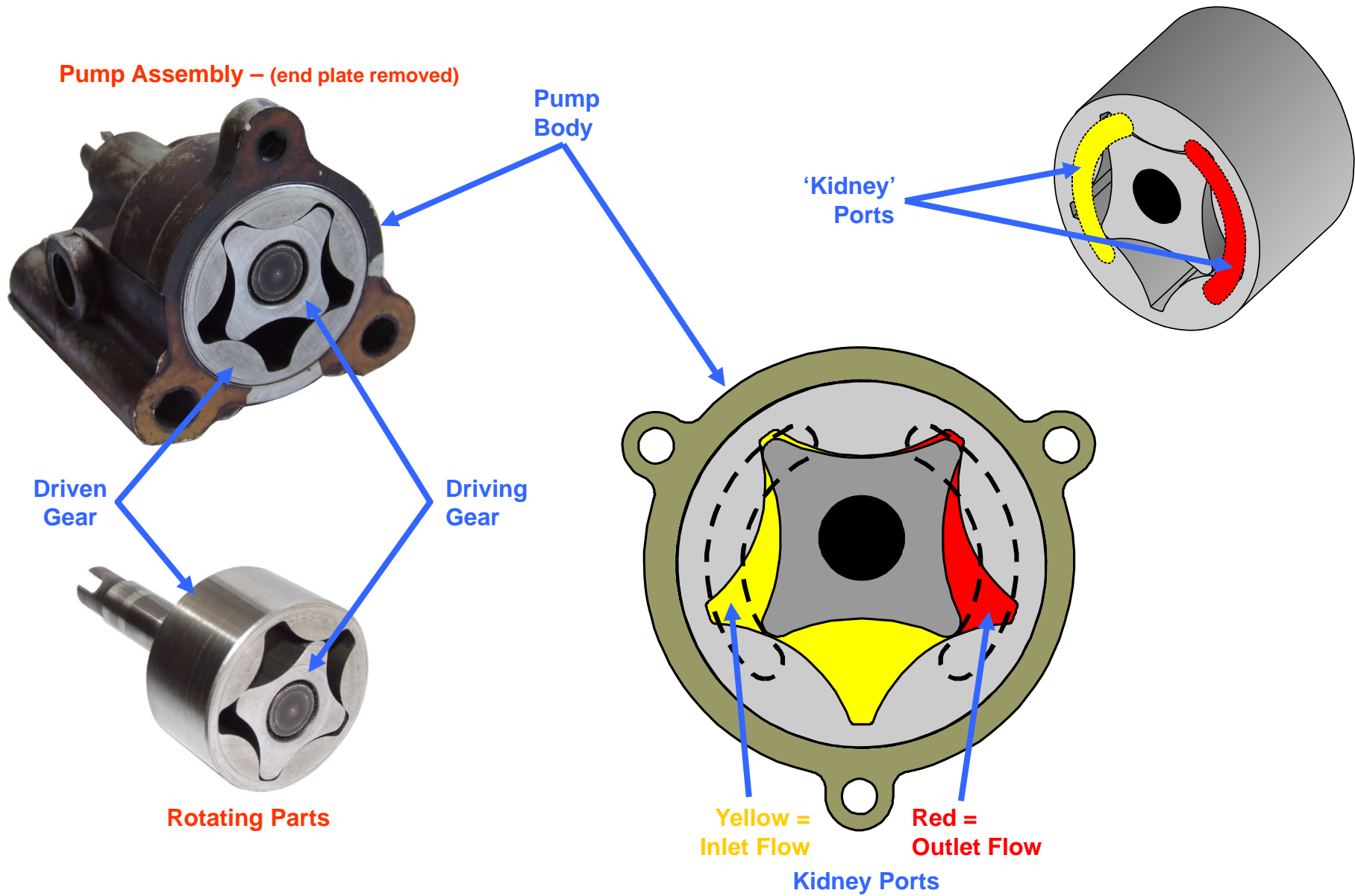
TYPICAL OIL SYSTEM – Distribution



TYPICAL OIL SYSTEM – Bearing Locations/Lubrication



TYPICAL OIL SYSTEM – Bearing Lubrication



TYPICAL OIL SYSTEM - Internal Gear Type Pump

Any Questions?